



USL  
StructureCare

[www.structurecare.com](http://www.structurecare.com)

FloorBridge® 

## Carbon Fibre Reinforced Composite Floor Joint Profiles

For Multi-Storey And Basement Car Parks



## Advantages of FloorBridge® Profiles

Expansion Joints present a number of challenges in buildings, but this is especially so in Multi-Storey and Suspended Car Parking Decks.

Car parks typically provide a very hostile and aggressive environment where the decks are exposed to the weather, water, salts, thermal movements, and also experience impact from both live and dead loads through vehicle traffic.

These aspects combine to present the need for a high performing expansion joint system to be provided in order to ensure that the system will perform for many years, ultimately keeping the structure water-tight, while also providing a safe and smooth running surface for both vehicles and pedestrians.

Noting in particular the introduction of chlorides, through the presence of de-icing salts, the water-tight performance of an expansion joint system is essential, especially where reinforced concrete is concerned, as the ingress of deleterious materials such as chlorides will lead to corrosion related issues within the reinforced concrete of the structure, which over time has the potential to create structural issues.

The Floorbridge expansion joint system combines a number of key benefits that present a technically robust and maintenance free solution owing to its:

- Resin bonded (no mechanical / metallic fixings) prevent the need to drill into the deck, avoiding any conflict with steel reinforcement, and corrosion of the same;
- Low profile installation, resulting in minimal depth of excavation which provides time and cost savings, plus reduces or even negates the risk of conflict with steel reinforcement within the structure;
- Simplified detailing to suit bespoke site conditions with site fabrications being completed easily to ensure of key detailing and performance of the same;
- Rapid installation time owing to its reduced depth and also the availability of fast-cure epoxy mortars and structural adhesives which secure the system;
- A similar co-efficient of thermal expansion between the construction of the car park deck construction;

- The ability to apply resin coatings to the surface of the joint profiles to conceal the joint profiles and integrate within the deck coatings if so desired.

### Key Attributes:

- Carbon Fibre reinforced joint profiles
- Prefabricated polymer floor joint profiles
- Metal-Free, Corrosion-Free solution
- Temperature Resistant, Waterproof and Chloride Resistant
- Accommodates Vertical and Horizontal Movements
- Shallow Installation Depth
- No Drilling or Mechanical Fixings
- Simple but very effective bespoke detailing
- Replaceable Elastomeric Insert
- Rapid installation and return to service times

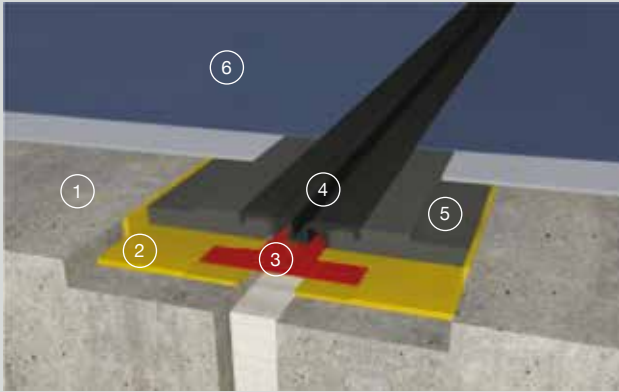


---

The benefits of FloorBridge® Profiles speak for themselves!

---



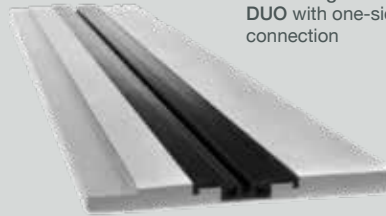


1. Concrete
2. Composite Adhesive
3. Sealing Tape
4. Replaceable Expansion Insert
5. Joint Profile CPS 20/50
6. Coating

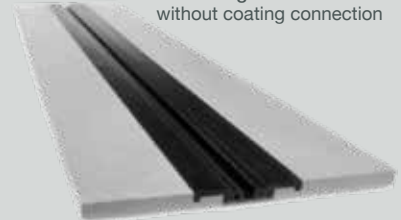
### Versions



FloorBridge® CPS 20/50  
with double-sided coating  
connection



FloorBridge® CPS 20/50  
DUO with one-sided coating  
connection



FloorBridge® CPS 20/50 MONO  
without coating connection

## FloorBridge® CPS 20/50 joint profile with replaceable expansion insert

### Description Of The Joint Profile

The FloorBridge® joint profile CPS 20/50 is a pre-fabricated polymer floor joint profile in carbon fibre composite technology with or without coating flange and replaceable expansion insert. The FloorBridge® joint profile CPS 20/50 produces hardly noticeable vibration, when trafficked.

It is suitable for vertical and horizontal joint movements.

The FloorBridge® joint profile CPS 20/50 can be supplied with or without a coating flange, depending on requirements.

A watertight connection in the transition area to the coating, concrete or asphalt can be achieved.

### Features/ Benefits

- Metal-free - therefore cannot corrode
- Tight coating connection
- Replaceable expansion insert without damaging the car park coating
- Suitable for vertical and horizontal movements of the joint
- Simple installation
- Low installation height
- Temperature resistant, weatherproof and chloride resistant
- Suitable for vehicular traffic
- Can be driven on after a few hours

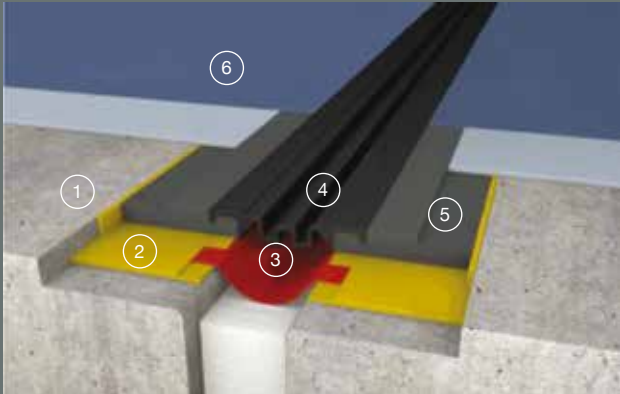
### Technical Data

Width of joint profile:	approx. 290 mm
Length of joint profile:	approx. 1200 mm installed (1195 mm net)
Thickness of joint profile:	approx. 23 mm
Joint width in the substrate:	max. 50 mm
Total horizontal Joint movement:	50 mm (-20/+30 mm)
Total vertical Joint movement:	30 mm (-15/+ 15 mm)
Compressive strength:	60 N/mm <sup>2</sup> (ONR 23303)
Load (Truck):	600 kN (DIN 1072)

### Area of Application

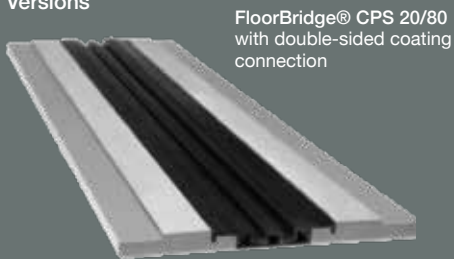
Joint profile for new construction and for the renovation of floor joints in multi-storey and basement car parks, park decks, shopping malls and ramps.



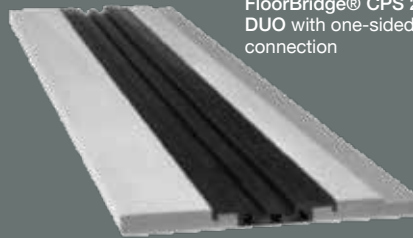


1. Concrete
2. Composite Adhesive
3. Sealing Tape
4. Replaceable Expansion Insert
5. Joint Profile CPS 20/80
6. Coating

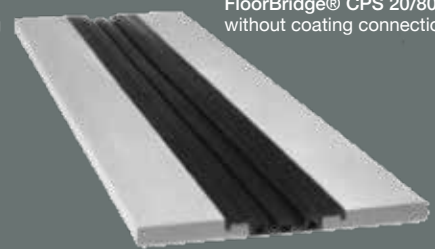
#### Versions



FloorBridge® CPS 20/80 with double-sided coating connection



FloorBridge® CPS 20/80 DUO with one-sided coating connection



FloorBridge® CPS 20/80 MONO without coating connection

## FloorBridge® CPS 20/80 joint profile with replaceable expansion insert

### Description Of The Joint Profile

The FloorBridge® joint profile CPS 20/80 is a pre-fabricated polymer floor joint profile in carbon fibre composite technology with or without coating flange and replaceable expansion insert. The FloorBridge® joint profile CPS 20/80 produces hardly noticeable vibration, when trafficked.

It is suitable for vertical and horizontal joint movements.

The FloorBridge® joint profile CPS 20/80 can be supplied with or without a coating flange, depending on requirements.

A watertight connection in the transition area to the coating, concrete or asphalt can be achieved.

### Features/ Benefits

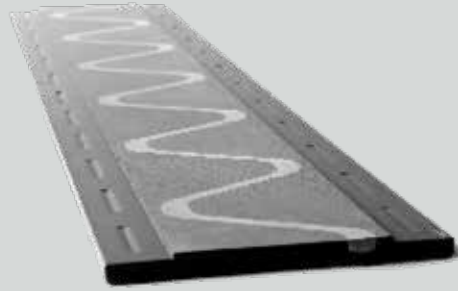
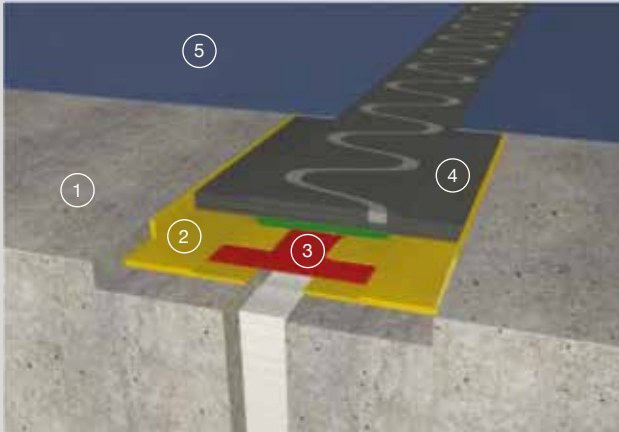
- Metal-free - therefore cannot corrode
- Tight coating connection
- Replaceable expansion insert without damaging the car park coating
- Suitable for vertical and horizontal movements of the joint
- Simple installation
- Low installation height
- Temperature resistant, weatherproof and chloride resistant
- Suitable for vehicular traffic
- Can be driven on after a few hours

### Technical Data

Width of joint profile:	approx. 325 mm
Length of joint profile:	approx. 1200 mm installed (1195 mm net)
Thickness of joint profile:	approx. 23 mm
Joint width in the substrate:	max. 80 mm
Total horizontal Joint movement:	80 mm (-30/+50 mm)
Total vertical Joint movement:	50 mm (-25/+ 25 mm)
Compressive strength:	60 N/mm <sup>2</sup> (ONR 23303)
Load (Truck):	600 kN (DIN 1072)

### Area of Application

Joint profile for new construction and for the renovation of floor joints in multi-storey and basement car parks, park decks, shopping malls and ramps.



1. Concrete
2. Composite Adhesive
3. Sealing Tape
4. Joint Profile CP 20/80
5. Coating



## FloorBridge® CP 20/80

### Description Of The Joint Profile

The FloorBridge® CP 20/80 joint profile is a pre-fabricated polymer floor joint profile in carbon fibre composite technology with coating flange. The sinusoidal curve of the joint profile allows an optimal load distribution and therefore hardly noticeable vibrations are the result, when trafficked. The joint profile is provided with a recessed coating flange along both sides, so that a watertight coating connection in the transition area is ensured.

### Area of Application

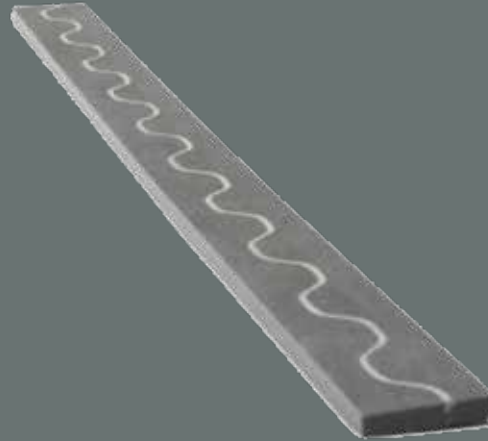
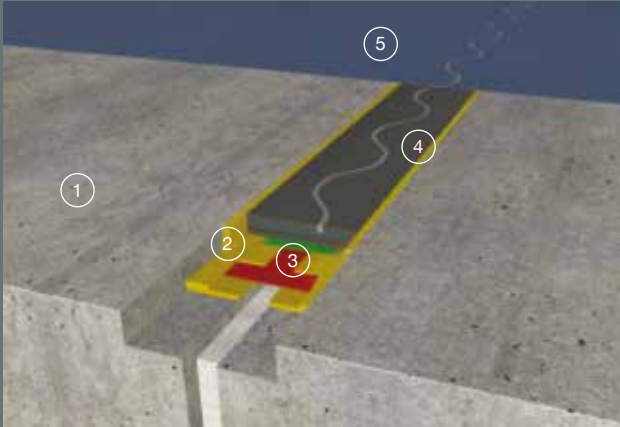
Joint profile for new construction and for the renovation of floor joints in multi-storey and basement car parks, park decks, shopping malls and ramps.

### Features/ Benefits

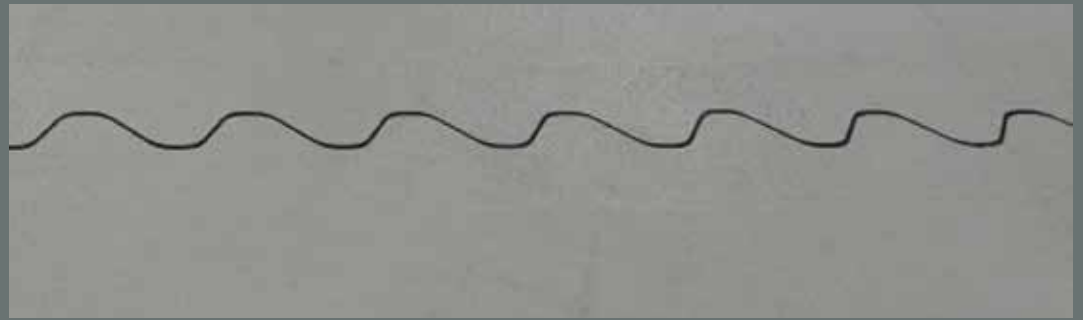
- Metal-free - therefore cannot corrode
- Tight coating connection
- Simple installation
- Low installation height
- Temperature resistant, weatherproof and chloride resistant
- Suitable for vehicular traffic
- Can be driven on after a few hours

### Technical Data

Width of joint profile:	approx. 260 mm
Length of joint profile:	approx. 1200 mm installed (1195 mm net)
Thickness of joint profile:	approx. 20 mm
Joint width in the substrate:	max. 80 mm
Dirt brake (sealant):	approx. 20 mm (depending on version)
Total horizontal Joint movement:	50 mm (-10/+40 mm)
Compressive strength:	60 N/mm <sup>2</sup> (ONR 23303)
Bending tensile Strength	50 N/mm <sup>2</sup> (DIN EN196-1)
Load (Truck):	600 kN (DIN 1072)



1. Concrete
2. Composite Adhesive
3. Sealing Tape
4. Joint Profile SL15/05
5. Coating



## FloorBridge® SL 15/05 - For cracks and shrinkage joints

### Description Of The Joint Profile

The FloorBridge® joint profile SL 15/05 is a pre-fabricated polymer floor joint profile in carbon fiber composite technology without coating flange.

### Area of Application

Joint profile for new construction and for the renovation of floor joints in multi-storey and basement car parks, park decks, shopping malls and ramps.

### Features/ Benefits

- Metal-free - therefore cannot corrode
- Simple installation
- Low installation height
- Temperature resistant, weatherproof and chloride resistant
- Suitable for vehicular traffic
- Can be driven on after a few hours

### Technical Data

Width of joint profile:	approx. 80 mm
Length of joint profile:	approx. 1200 mm installed (1195 mm net)
Thickness of joint profile:	approx. 15 mm
Joint width in the substrate:	max. 5 mm
Dirt brake	approx. 5 mm (depending on version)
Total horizontal Joint movement:	5 mm (-2/+3 mm)
Compressive strength:	60 N/mm <sup>2</sup> (ONR 23303)
Bending tensile strength:	50 N/mm <sup>2</sup> (DIN EN 196-1)
Load (Truck):	wheel load 5000 kg per 10 cm <sup>2</sup> bearing surface



①



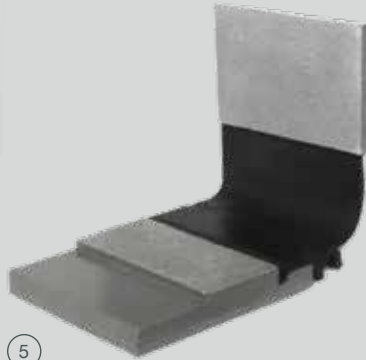
②



③



④



⑤



⑥

## FloorBridge® CPS Shaped Parts - The right detailed solution for all requirements

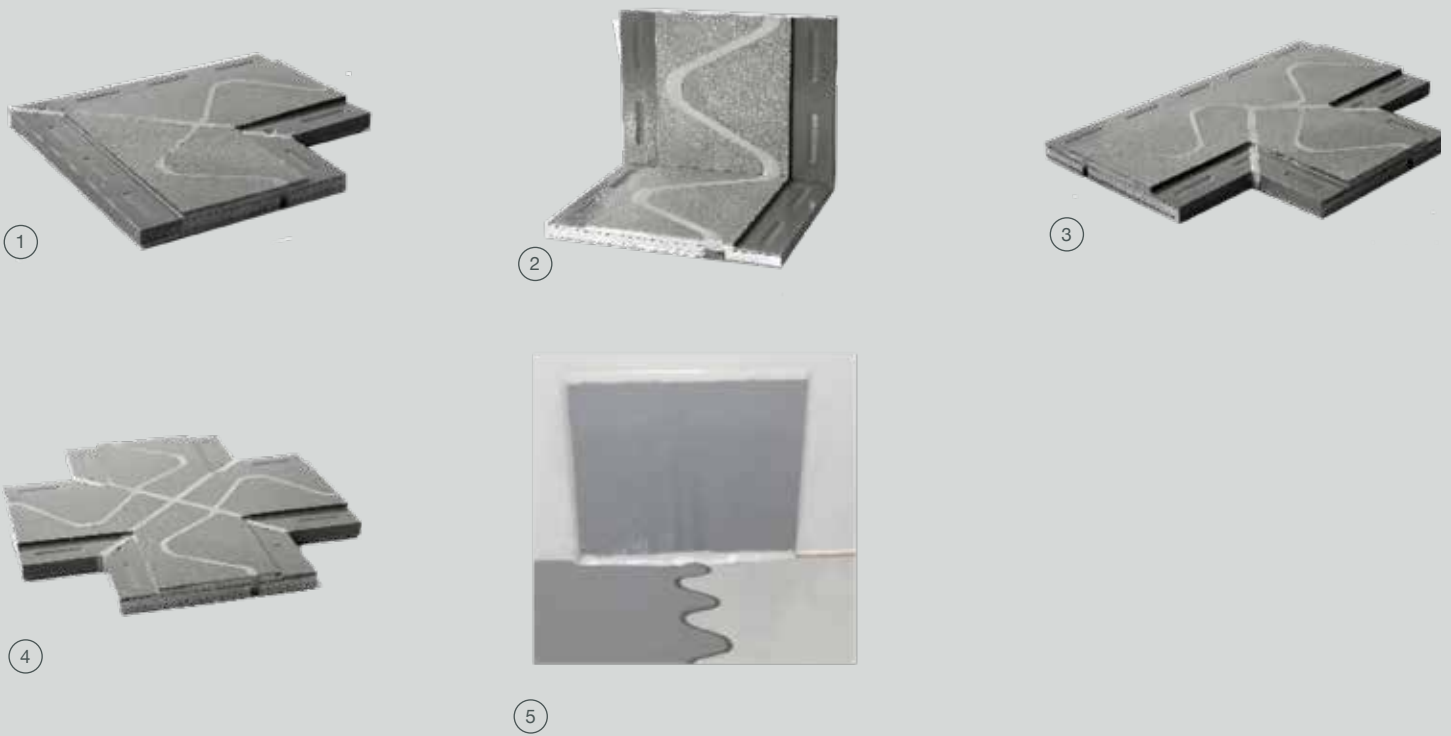
For intersections, wall connections and other details, there are a variety of shaped parts that FloorBridge® offers, depending on requirements.

An individual adjustment of the shaped parts is possible on site.

1. CPS L-Shaped part  
Art. No. 80
2. CPS Floor/Wall-Shaped part 90°  
Art. No. 68
3. CPS T-Shaped part  
Art. No. 81
4. CPS Cross-Shaped part  
Art. No. 79
5. CPS Wall connection profile  
Art. No. 93
6. FloorBridge® WALL PANEL  
(24 x 20 cm) Art. No. WP







## FloorBridge® CP Shaped Parts - The right detailed solution for all requirements

For intersections, wall connections and other details, there are a variety of shaped parts that FloorBridge® offers, depending on requirements.

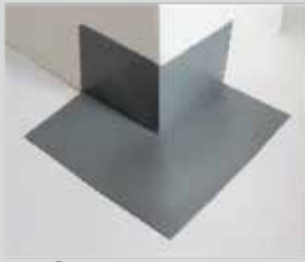
An individual adjustment of the shaped parts is possible on site.

1. CP 20/80 L-Shaped part Art. No. 88
2. CP 20/80 Floor/Wall-Shaped part 90° Art. No. 90
3. CP 20/80 T-Shaped part Art. No. 89
4. CP 20/80 Cross-Shaped part Art. No. 87
5. FloorBridge® WALL PANEL (24 x 20 cm) Art. No. WP





①



②



③



④



⑤



⑥



⑦



⑧



⑨

## Accessories & Other Products

1. Sealing membrane (20 m rolls)  
various width ...  
SM 150/1 mm - Art. No. 33  
200/1 mm - Art. No. 69  
250/2 mm - Art. No. 53

2. Sealing membrane for outside  
corners 100 x 100 mm  
Art. No. 71

3. Rubber insert for CPS 20/50  
Art. No. 100

4. Sealing membrane for inside  
corners 100 x 100 mm  
Art. No. 72

5. Rubber insert for CPS 20/80  
Art. No. 101

6. Wall connection rubber for  
CPS-Profile Art. No. 102

7. Wall panel 24 x 120 cm  
Art. No. WP 24x120

8. Trowel FloorBridge® SP 04  
universal Art. No. 37

9. Pressing roller 30 mm  
Art. No. P1-229/5

FloorBridge® Adhesive Connect  
03. 9 kg - Art. No. 35 30 kg - Art.  
No. 34

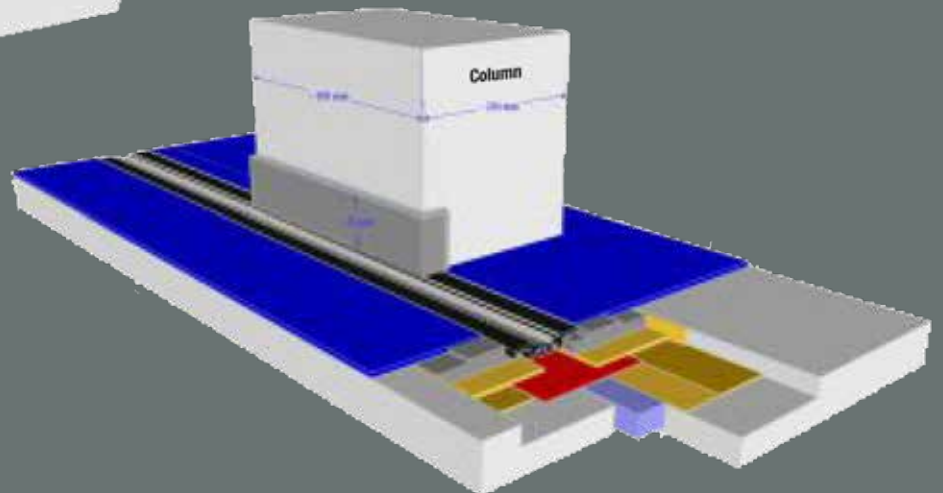
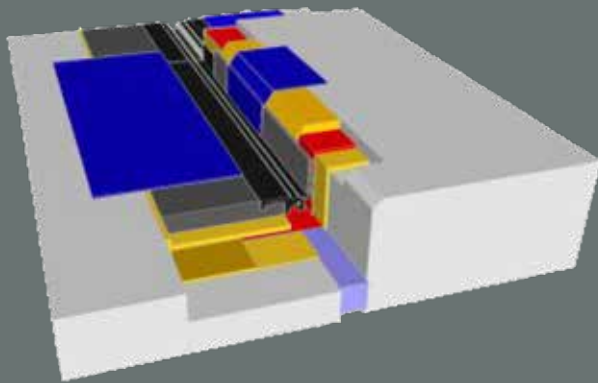




---

Innovative Solutions - The right component for every requirement

---





USL  
StructureCare

[www.structurecare.com](http://www.structurecare.com)

**Head Office:**

Kingston House  
3 Walton Road  
Pattinson North  
Washington  
Tyne & Wear  
NE38 8QA  
United Kingdom

t: +44(0)191 416 1530  
f: +44(0)191 415 4377  
e: [info@usluk.com](mailto:info@usluk.com)

**Northern Office:**

Panama House  
184 Attercliffe Road  
Sheffield  
S4 7WZ  
United Kingdom

t: +44(0)844 417 1480  
e: [info@usluk.com](mailto:info@usluk.com)

**Southern Office:**

Northfield Farm  
Great Shefford  
Berkshire  
RG17 7BY  
United Kingdom

t: +44(0)1635 889 610  
e: [info@usluk.com](mailto:info@usluk.com)